

# FHR RANGE



2002 / Issue 1





# BROADY

FLOW CONTROL

**Broady Flow Control** is an **independent** Valve Manufacturer, specialising in **Innovative** and effective **solutions** to satisfy its increasing customer demands, challenges and problems in flow control.



- MARKET SECTORS**
- Naval & Marine
  - Chemical & Petrochemical
  - Food & Beverages
  - Industrial gases
  - Biotechnology
  - Mining
  - Fire protection
  - Oil & Gas
  - Pharmaceutical
  - Power generation

## Four key divisions

- 1 Relief. Safety relief. Pressure reducing & sustaining valves.



- 2 Valves for Naval, Marine and other specialist applications.



- 3 Pattern makers & Master founders of corrosion resistant copper based alloys.



- 4 Overhaul & Refurbishment of Broady valves and other selected valve manufacturers products and equipment.





# Introduction

There are no second chances when it comes to Fire Protection.

Personal Safety, Plant safety standards and Stringent regulations, demand that when that vital need arises, sufficient and constant water pressure is maintained by the valve, for the fire fighters at each and every hose outlet, regardless of the number, distance or pressure fluctuations.

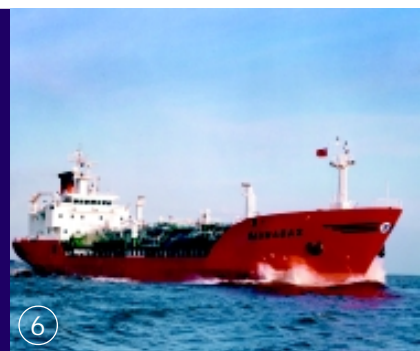
Broady Flow control have been supplying Fire hydrant reducing Valves for many years in a variety of materials, including, gunmetal, Stainless Steel, Duplex and Titanium for a number of different applications, in many parts of the world.

The valves can be supplied with a flanged inlet in varying specifications and screwed or quick release instantaneous outlet coupling.



- 1 Navy Frigate.
- 2 Public buildings.
- 3 Oil rigs.
- 4 Shopping centre

- 5 Chemical plant.
- 6 Shipping?



## DH6-Features - Benefits

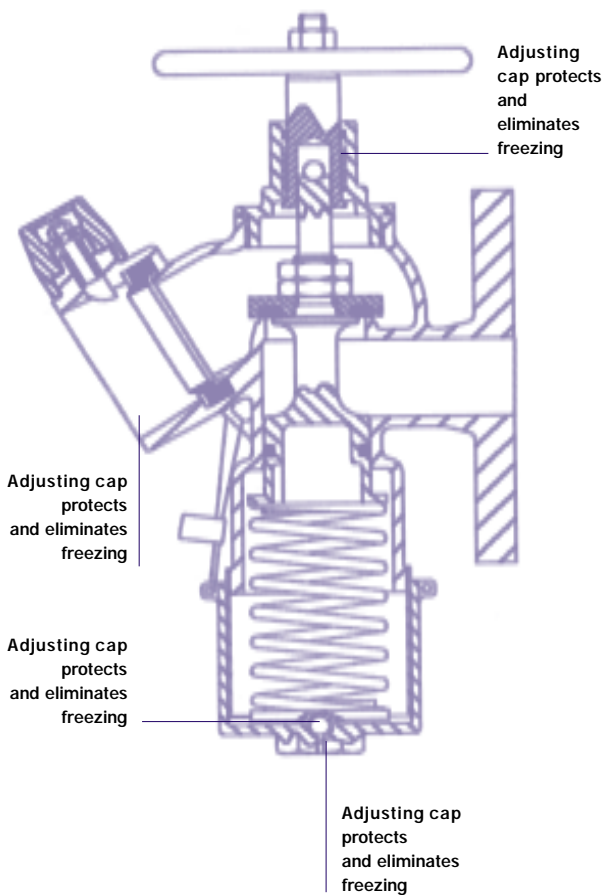
- Compact and simple design - problem free.
- Balance plug design - Eliminating pressure shocks and protecting the outlet pressure.
- Self draining design - Will not freeze in harsh environment (North Sea / Sub zero conditions).
- Available in many types of metals - To suit varying applications.
- Aluminium bronze trim - For prolonged life.
- One external thread only - No nuts or bolts to corrode in harsh environments.

- Valve design fully fire tested - in accordance with BS5401.
- Available with high pressure override.
- No pilot hole for reduced pressure sensing - eliminating corrosion potential.

### DH6i-S - Additional features / Benefits

The "S" version allows the valve to work as both a landing valve, fully open in non-reducing mode, and as a standard pressure reducing fire hydrant valve. In both of these models the valve can be fully closed using the hand-wheel!

### The Type DH6i Fire Reducing Valve



**Broady Valves Limited**

English Street  
Kingston upon Hull  
East Yorkshire

**telephone:** +44 (0) 1482 619600

**facsimilie:** +44 (0) 1482 619700

**email:** [sales@broady.co.uk](mailto:sales@broady.co.uk)